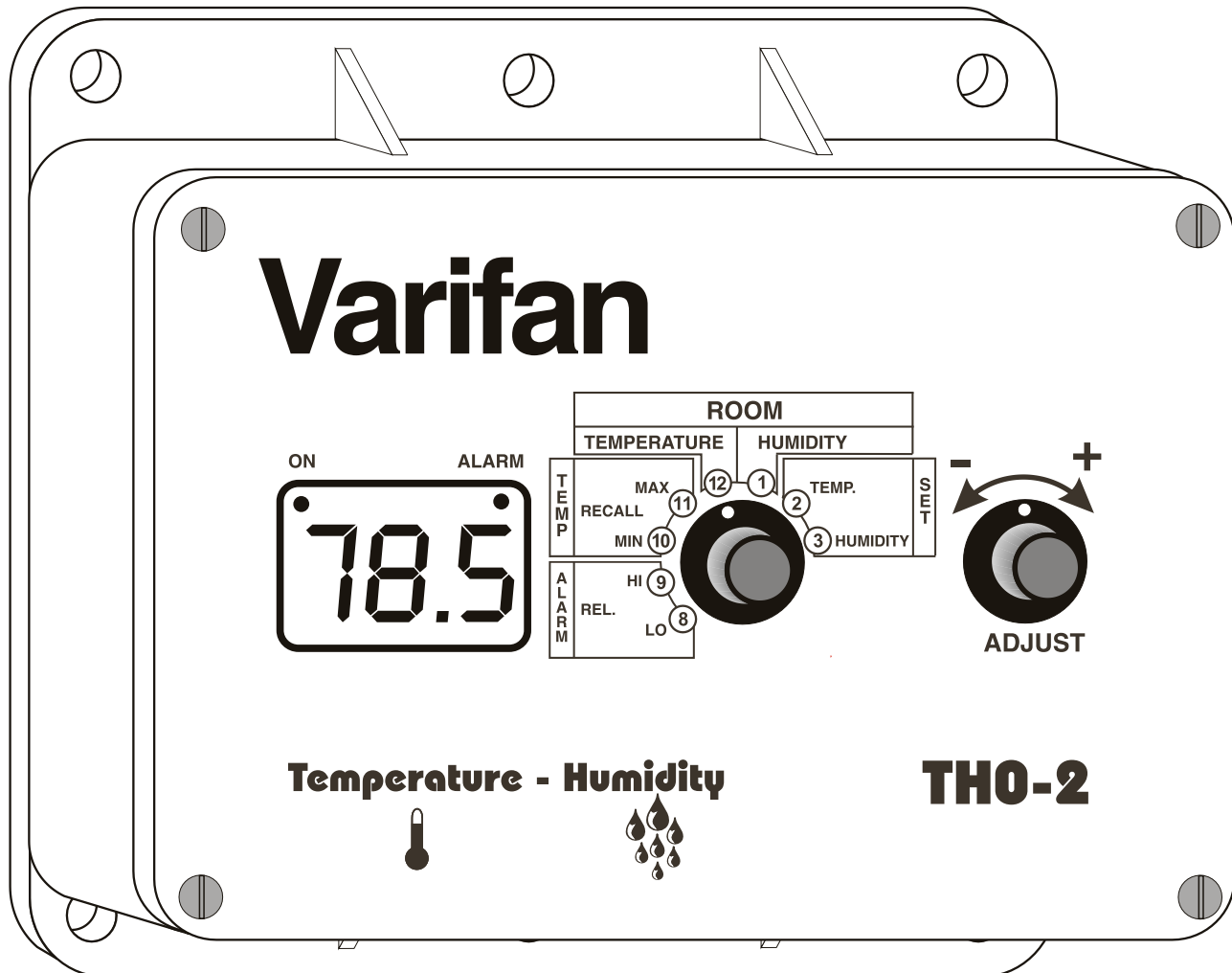


Varifan TH0-2

TH0-2 /KIT

Temperature & Humidity Control



Features:

- Hi / Lo Temperature recall
- Capacity 20 Amp. (2 x 10 Amp. relays)
- Range: Temperature 5.5 to 44.0°C
42.0 to 111.0°F
Humidity 30 to 90% R.H.
- Alarm on Hi/Lo temperature - lost of power
- Temperature probe included with TH0-2
- Humidity probe included in kit version only

Typical applications:

- Evaporative cooling with humidity override
- Thermostat in Heating or Cooling
- Humidistat / Deshumidistat

Evaporative Cooling Temperature Control with Humidity Override

Adjustable control values:

Factory

Preset:

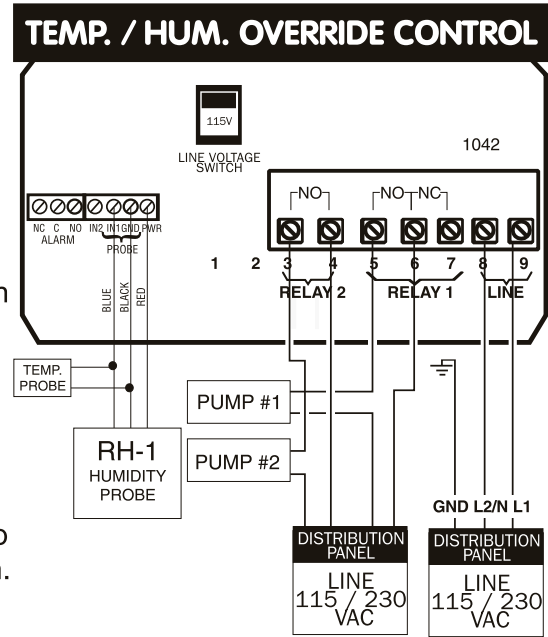
| | |
|--|----------|
| Cool cell temperature start , 42.0 to 111.0 °F | 80 °F |
| Humidity level, 30 to 90% R.H | 85% R.H. |
| Low relative alarm, 0.0 to -32.0 °F | -15 °F |
| High relative alarm, 0.0 to 32.0 °F | +15 °F |

Control logic:

- The THO-2 control will start pumps #1 and #2 when room temperature is higher than set point. If humidity is higher than set value, pumps will not start or stop until humidity drops below set value
- Please refer to dip switch chart for alternate control logics

Readings:

- Relative humidity, 30 to 90 % R.H.
- Minimum temperature recall (Lowest temperature reached). To reset this value, rapidly rotating the adjust dial back and forth.
- Maximum temperature recall (Highest temperature reached). To reset this value, rapidly rotating the adjust dial back and forth.



DIP SWITCHES

| DIP SWITCH | | CONTROL LOGICS |
|------------|-----|---|
| #3 | #4 | |
| ON | ON | <i>Temp. higher than Temp. Set point & Hum. lower than Hum. Set point</i> |
| ON | OFF | Temp. higher than Temp. Set point & Hum. higher than Hum. Set point |
| OFF | ON | Temp. lower than Temp. Set point & Hum. lower than Hum. Set point |
| OFF | OFF | Temp. lower than Temp. Set point & Hum. higher than Hum. Set point |

| FUNCTIONS | | OFF | ON |
|-----------|---------------------|-------|------|
| 1 | TEMPERATURE | °F | °C |
| 2 | LOCK CONTROL VALUES | YES | NO |
| 3 | TEMP. MODE | HEAT | COOL |
| 4 | HUMIDITY MODE | DEHUM | HUM. |

Specifications:

- Power Supply: 115 / 230V 50 / 60Hz
- Capacity: 2 Relays, 10 Amp. each
- Temperature range: 42.0 to 111° F
- Relative Humidity range: 30 to 90%
- Fixed hysteresis or differential at 1° F