

Product description

The WPS-100 is a water pressure sensor featuring a strain gauge that is glass-bonded to a stainless steel diaphragm.

Notable features of the WPS-100 include:

- Leakage-free operation
- Efficient lightning protection
- High accuracy
- Temperature compensation

Installation

The WPS-100 must be installed in-line with your water distribution network.

Tools needed:
Soldering iron

Installation steps

Step 1: After unpacking, verify that the product is in good condition.

Step 2: Connect WPS-100 to the water distribution pipe T-Junction, with the product screwed in either ABOVE the water pipe or HORIZONTALLY to the water pipe.

Step 3: Refer to your controller's document for the steps necessary to connect the cable to your controller.

Calibration
None required.

Specifications

Measurement range
0-100 PSI (690 kPa)

Input voltage
9-30 VDC

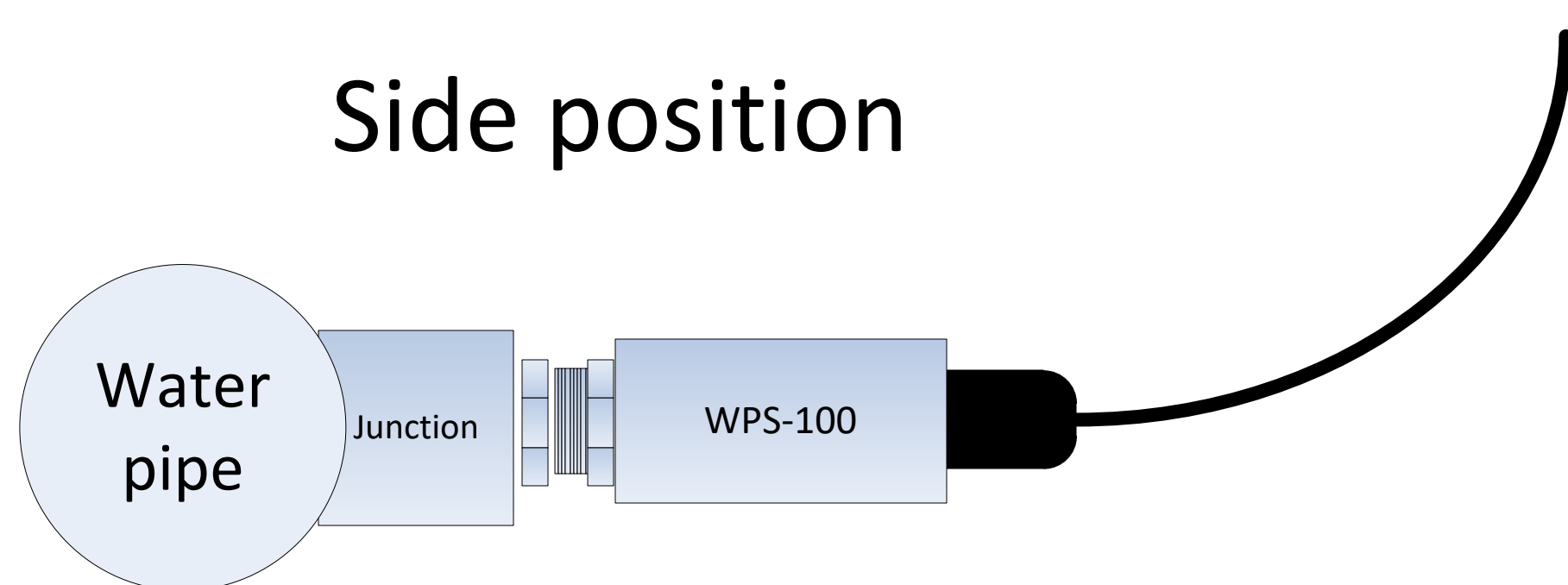
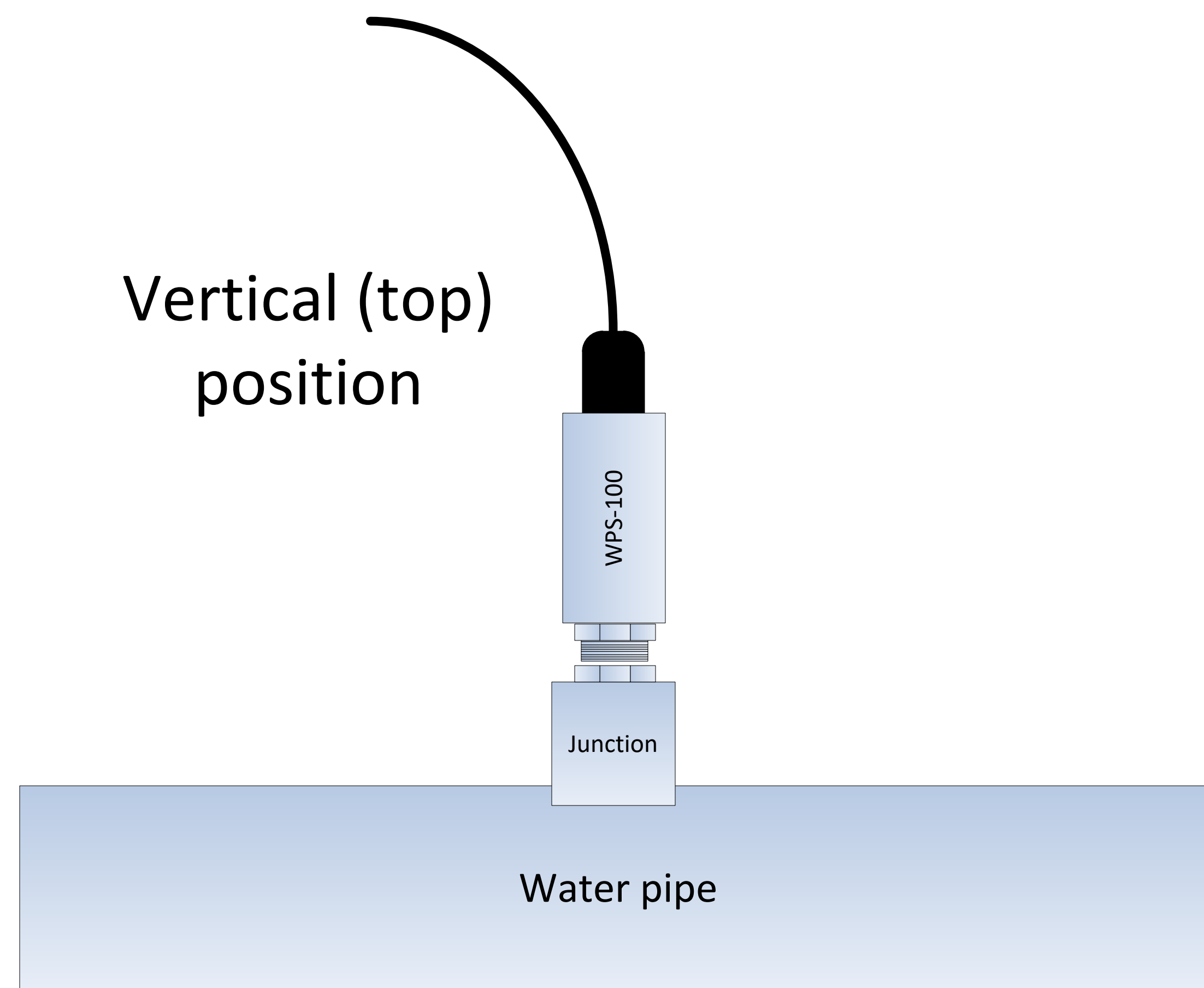
Output signal
4-20 mA

Environmental protection
IP65, ROHS compliant

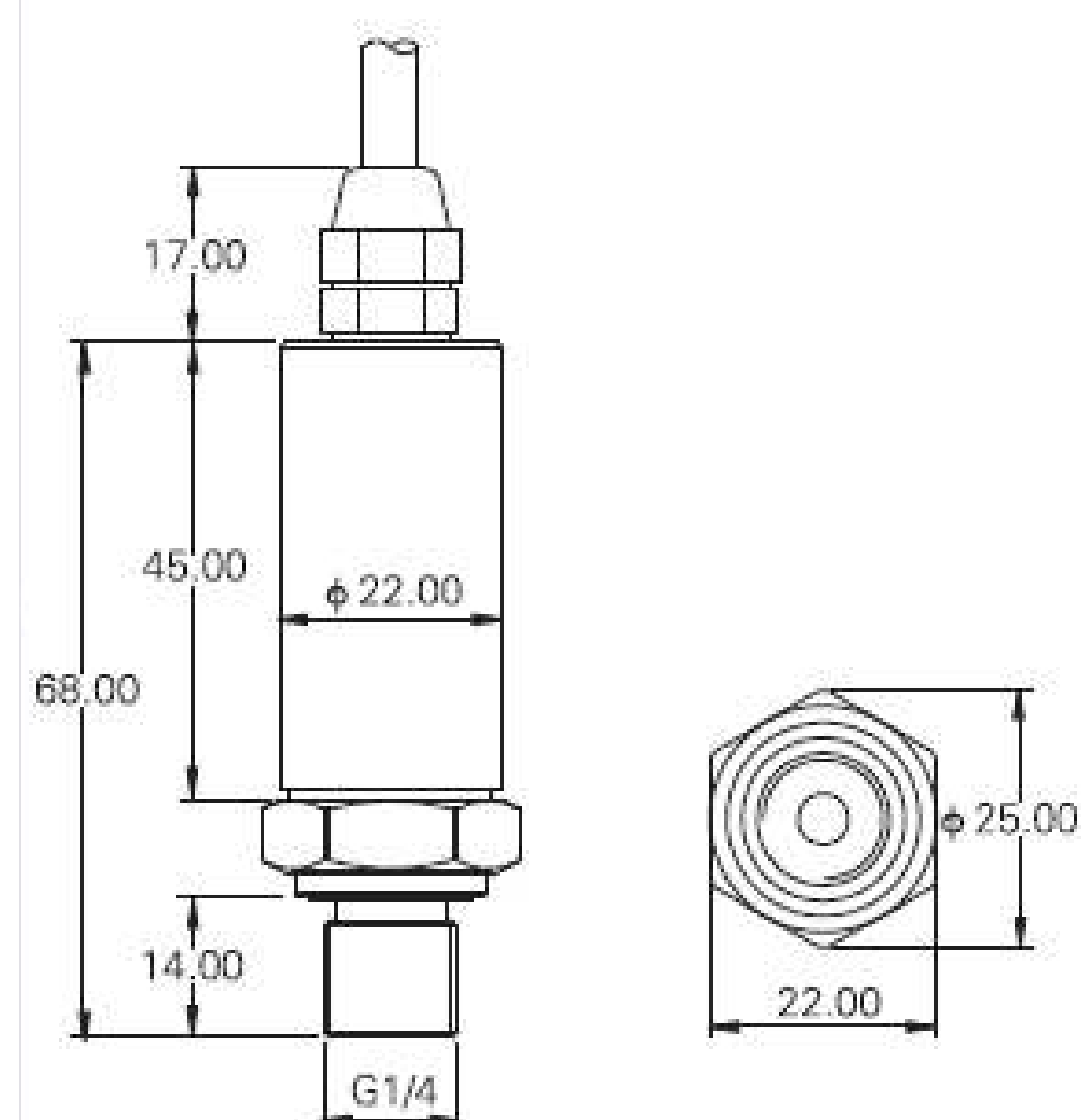


jumper

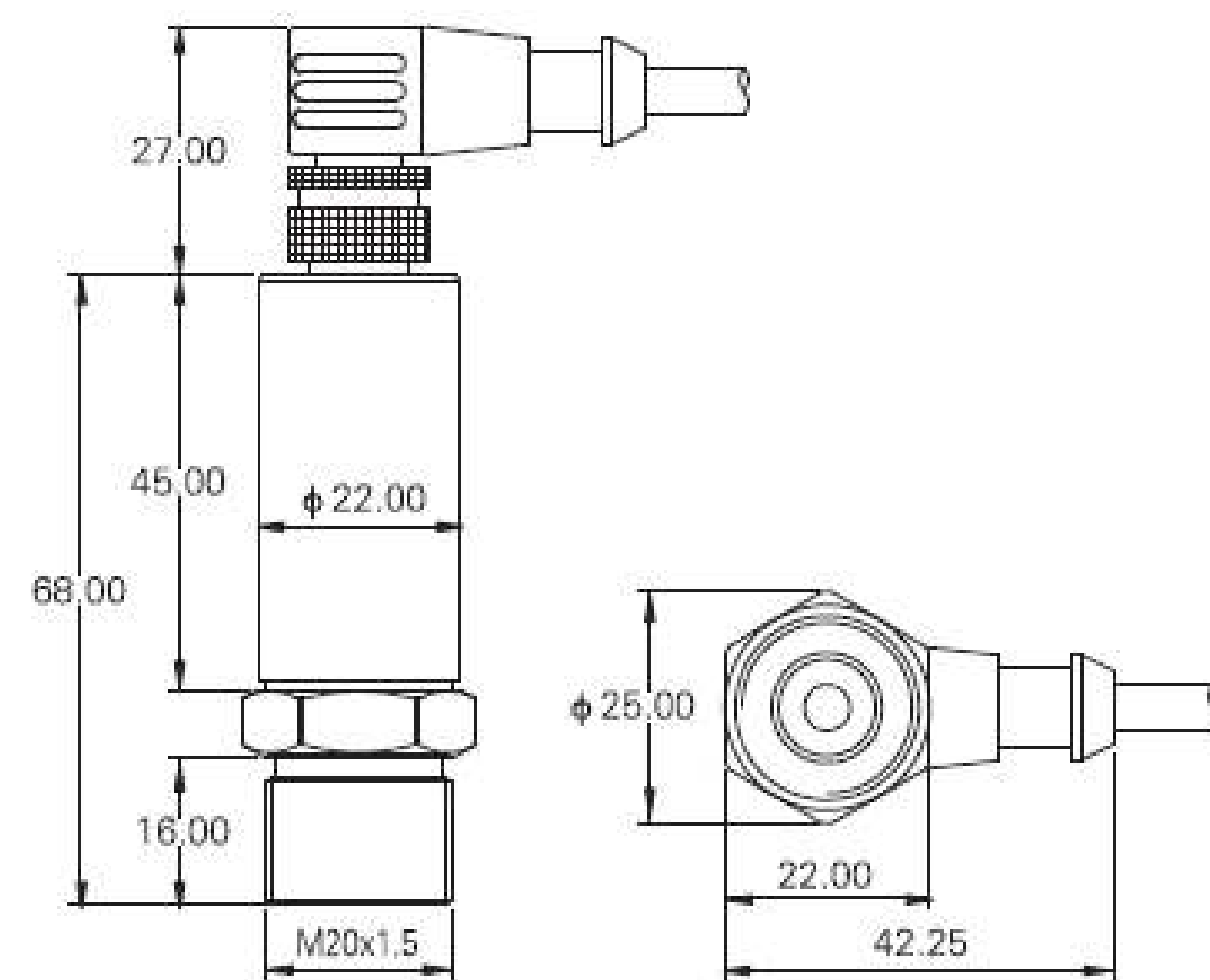
Ensure that the jumper installed on the PRB output of your controller is set to 4-20 mA



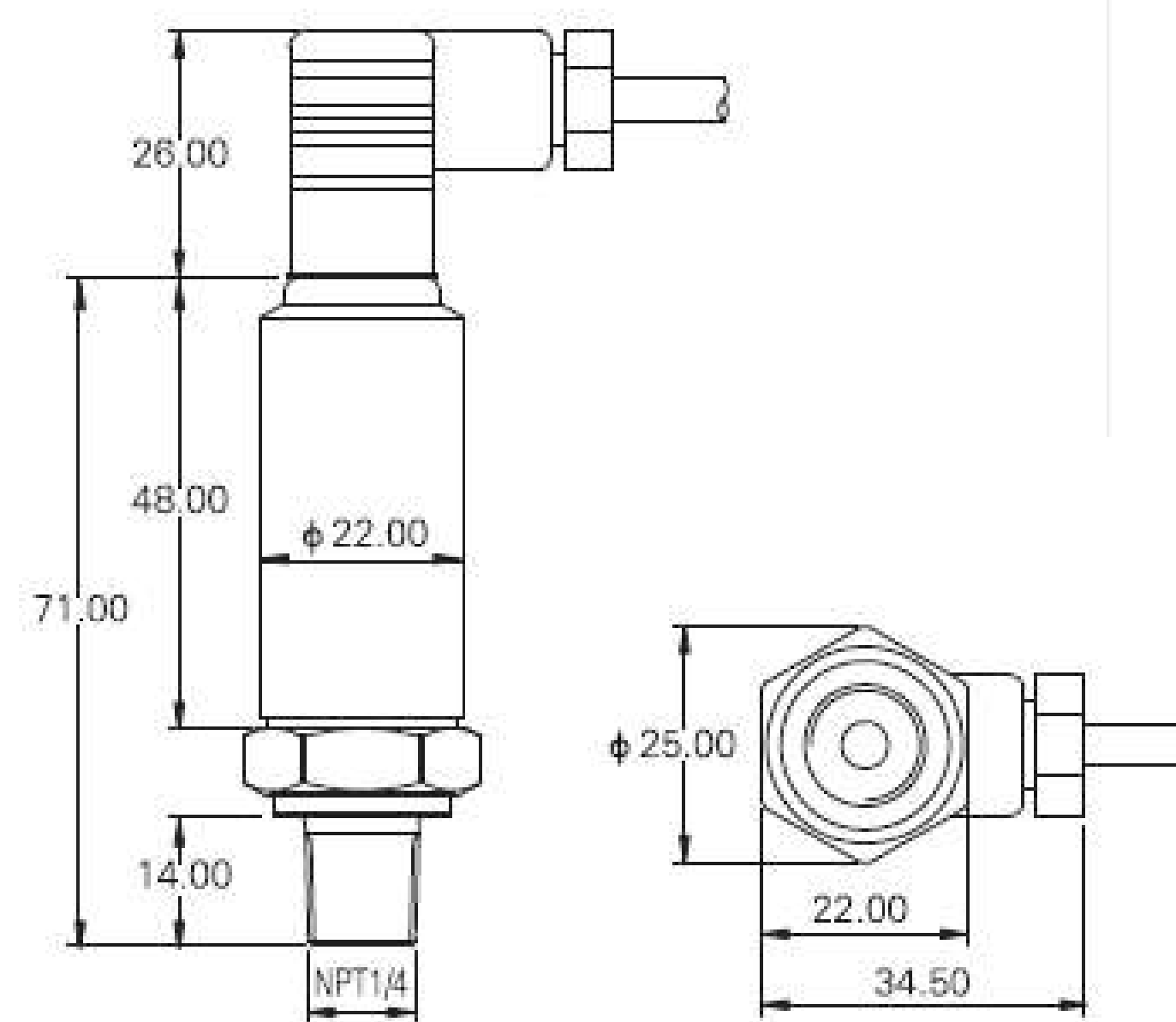
Dimensions



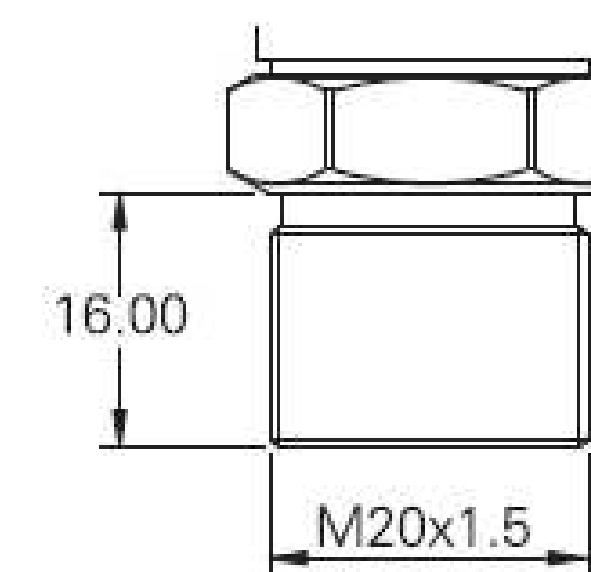
Direct Lead



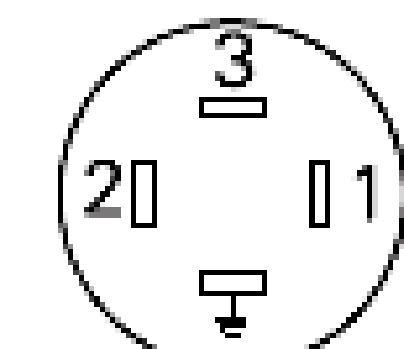
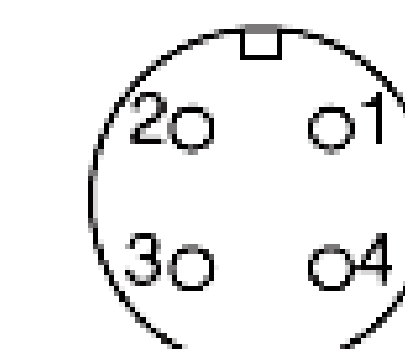
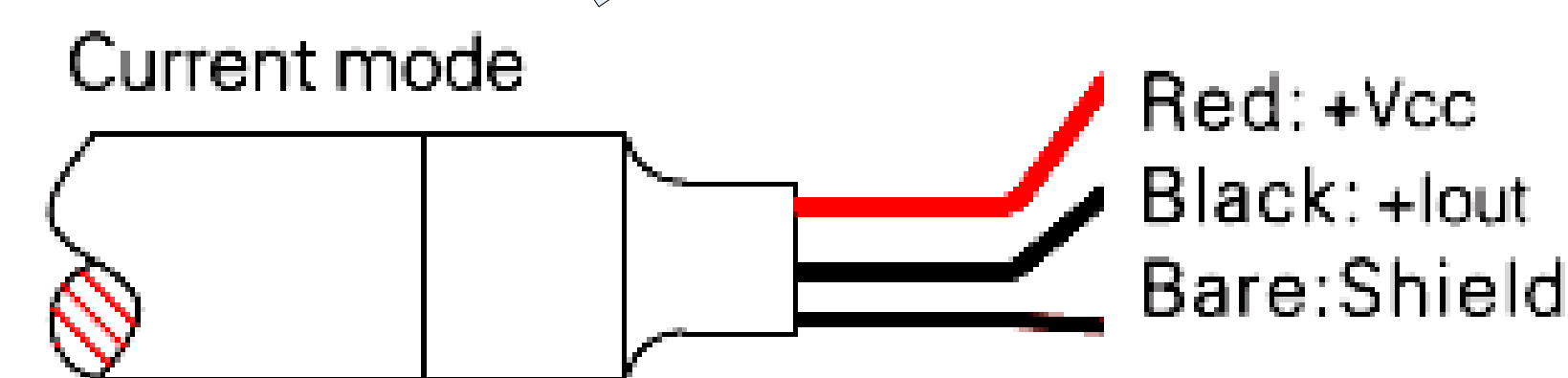
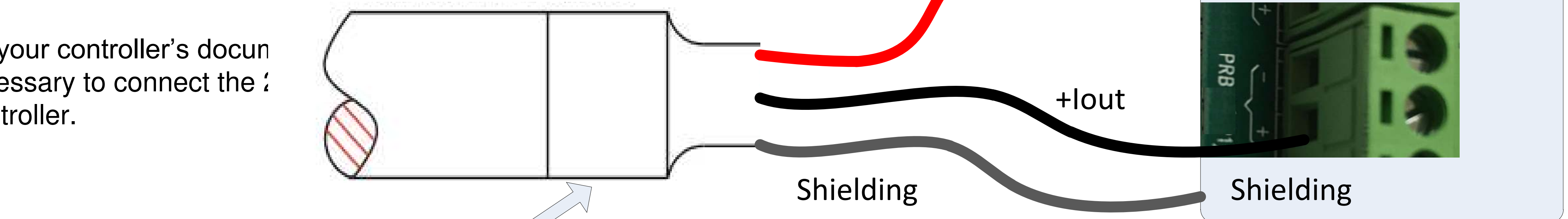
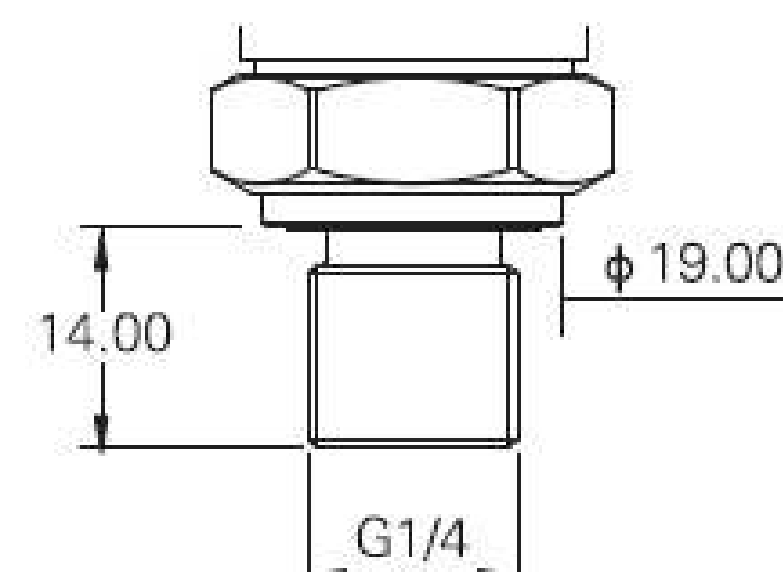
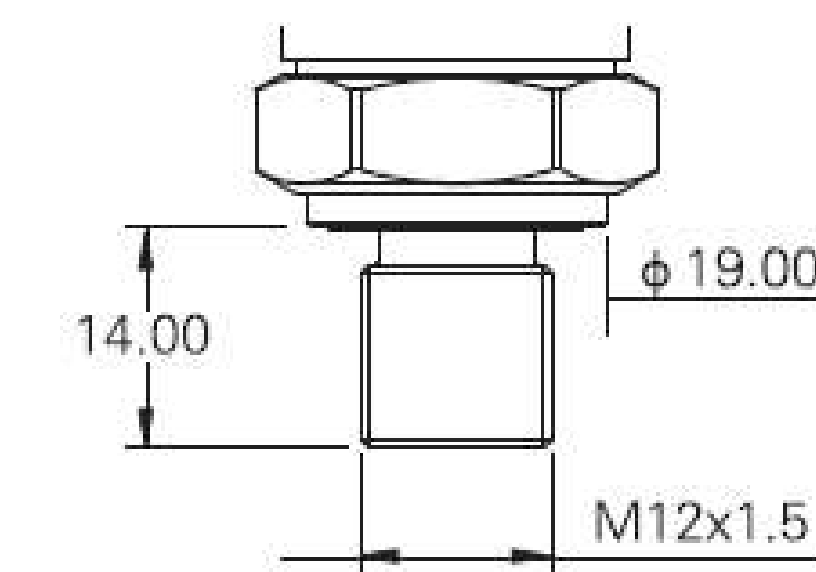
M12 Connection



Hirschmann Connection



Pressure connection



4-20mA	1	+Vcc	Red/Brown	4-20mA	1	+Vcc	Red
	3	+Iout	Black/Blue		2	+Iout	Black

WPS-100 product sheet v1.1
MONITROL
 ELECTRONIC SYSTEMS MANUFACTURER
www.monitrol.com