



Dura-Lite

FIXED RIDGE

Installation Guide



Tel: (519) 527-2470
92 Railway St. P.O Box 668
Seaforth, ON Canada N0K 1W0
www.sunnorth.com

Table of Contents

.....	1
I. Table of Contents	2
II. Installation Preparation	3
Items Included.....	3
Signal Words.....	3
Qualified Persons.....	3
Important.....	3
III. Safety	3
Electrical Safety	3
General Safety	4
IV. Hardware Included	5
Tools Required.....	5
V. Important Notes	5
VI. Procedure	6

Installation Preparation

Items Included

- Dura-Lite Fixed Ridge System

Signal Words

The signal words “Danger”, “Warning” and “Caution” used in this manual indicate the degree of hazard that may be encountered by the user. These words are defined as:

Danger - Indicates death or serious physical injury will result if proper precautions are not taken.

Warning - Indicates death, serious physical injury or property damage can result if proper precautions are not taken.

Caution - Indicates some injury or property damage may result if proper precautions are not taken.

Qualified Persons

For the purposes of this manual and product labels, a qualified person is one who is familiar with the installation, construction, operation or maintenance of the equipment and the hazards involved. In addition this person has the following qualifications:

(a) is trained and authorized to energize, de-energize, clear, ground and tag circuits and equipment in accordance with established safety practices.

(b) is trained in the proper care and use of protective equipment such as rubber gloves, hard hat, safety glasses or face shields, flash clothing, etc., in accordance with established safety practices.

Important

These instructions do not purport to cover all details or variations in equipment, nor to provide for every possible contingency to be met in connection with installation, operation or maintenance. Should further information be desired or should particular problems arise which are not covered sufficiently for the purchaser’s purposes, the matter should be referred to the Sun-North Systems sales office.

Safety

Electrical Safety



DANGER! Ignoring the following instructions can cause physical injury or death, or damage to the equipment.



WARNING! Only qualified personnel are allowed to install the drive and connections to the motor!

Never work on the drive, motor cable or motor when input power is applied. After disconnecting the input power, always wait for 5 minutes to let the intermediate circuit capacitors discharge before you start working on the drive, motor or motor cable.

Do not work on the control cables when power is applied to the drive or to the external control circuits. Externally supplied control circuits may carry dangerous voltage even when the input power of the drive is switched off.

General Safety



WARNING! TO REDUCE THE RISK OF FIRE, ELECTRIC SHOCK, OR INJURY TO PERSONS, OBSERVE THE FOLLOWING:

- Installation work and electrical work must be done by qualified person(s) in accordance with all applicable codes and standards, including fire-rated construction.
- The installation is to be in accordance with the National Electrical Code, CSA C22.1, ANSI/NFPA 70, and local codes.
- **CAUTION!** This appliance is not intended for use by persons (including children) with reduced physical, sensory or mental capabilities, or lack of experience and knowledge, unless they have been supervised or instruction concerning use of the appliance by a person responsible for their safety.
- Check drawings and layouts provided to locate where the equipment is to be installed.
- Ensure work area is safe and that all security, policies and procedures for the facility are met.
- Inspect the lift device or mobile platform.
- Each person installing the equipment with a lift device or mobile platform must use a safety harness at all times.
- Other safety requirements may be required for installation.
- All workspace safety requirements, lock out procedures and hoarding of construction zone for the assembly and installation must be met and followed.



WARNING!

- Never remove or disable a machine guard or use a machine that has a missing or disabled guard.
- Never reach around, under, or through a guard.
- Report guards that are missing or not working properly.

Hardware Included



- SN022X0408 Hex Whr Hd Tek Scr/whr.12 X 1-1/2



- SN022X4123 White 2-1/2" Wood Grips



- SN022X5896 Hex Head Lag Scr. SS 1/4 X 1-1/2



- SN727X1015 Polycarbonate Twinwall Clear 8mm



- SN750X0002 Polycarbonate Top Joiners



- SN750X1010 Dura-Lite Fixed Ridge Truss

Tools Required

- Tape Measure
- Hammer
- Rubber Mallet
- Cordless Impact
- 7/16" Socket & Adapter for Impact
- 5/16" Socket & Adapter for Impact
- 1/4" Socket & Adapter for Impact
- Utility Knife

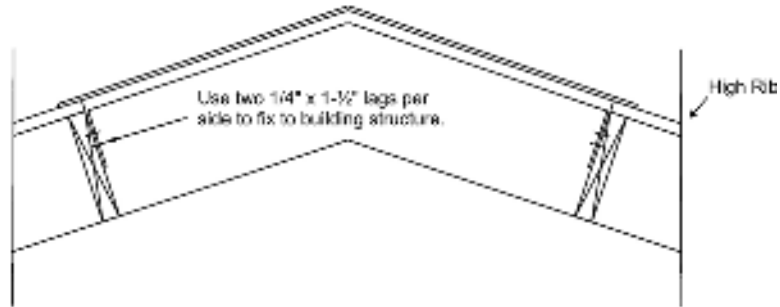
NOTE: Illustrations/images may be changed without notice. All dimensions and specifications are approximate and drawings are not to scale.

Important Notes

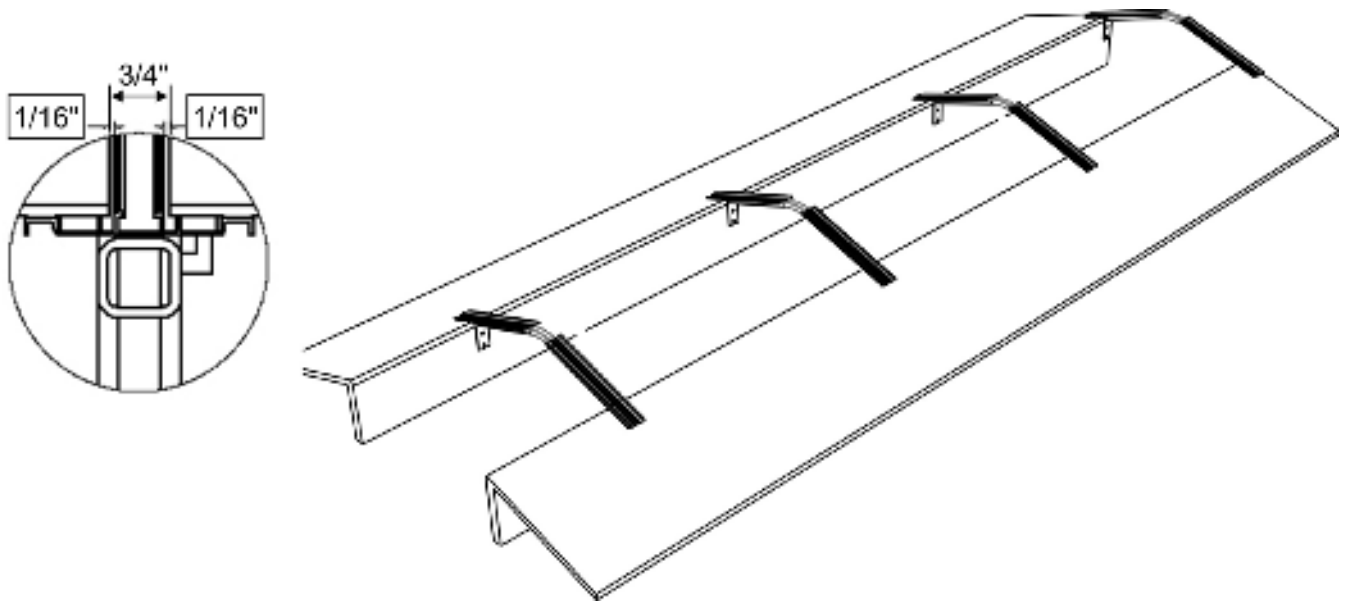
It is important to assemble a test run of the Dura-Lite installation to be sure that you understand the assembly process. For example, complete a 20' length of the ridge then proceed along the rest of the building.

Procedure

1. Start by selecting a SN750X1010 Dura-Lite Fixed Ridge Truss and using four SN022X5896 Hex Head Lag Scr. SS ¼ X 1-1/2 fix the truss to the building at one end. The top surface of the truss must be parallel and flush with the high rib of the steel roof cladding.



2. Using a sheet of glazing you can now space out the remaining trusses along the ridge of the building. Be sure to provide 1/8" of extra coverage of glazing over the truss allowing for expansion. Fix each truss in place using four SN022X5896 Hex Head Lag Scr. SS ¼ X 1-1/2.

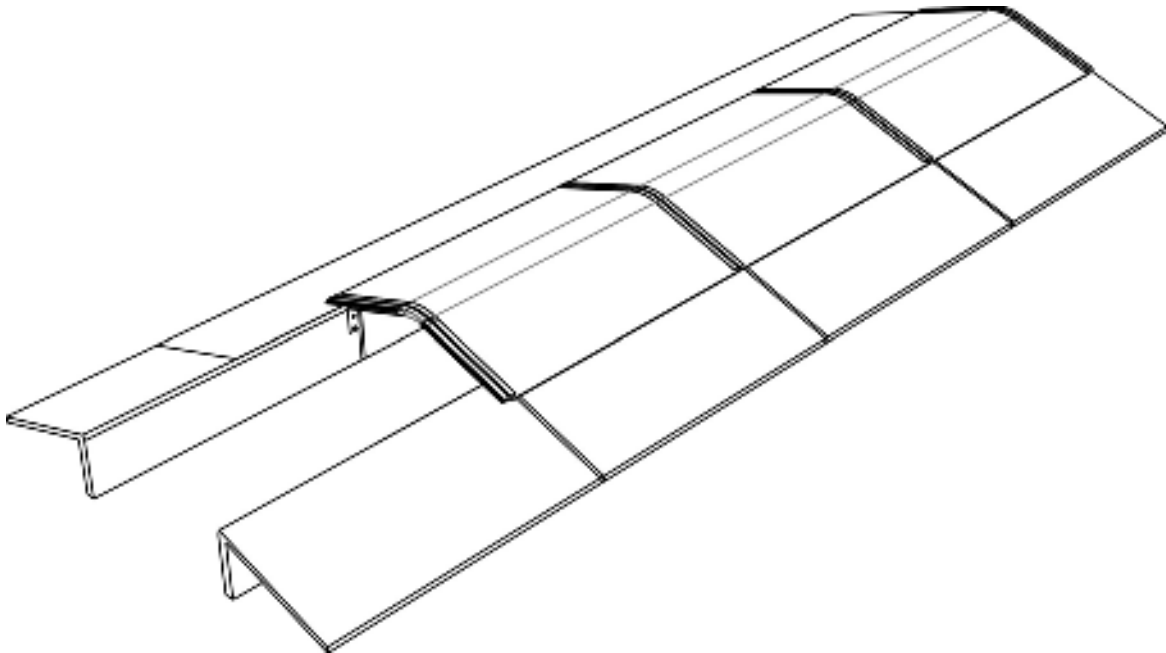


NOTE: Just do a 20' test section. Install this this section through to step 6 to completion and then proceed with the rest of the barn.

3. Each truss has a track on its top surface providing a channel system to accept a joiner strip. This joiner strip locks into the top channels of each truss in turn holding the glazing in place. Looking down at the truss channel, when the glazing is installed it should be back from the centre of the channel by 3/8". Lay the glazing (SN727X1015) in place on each side of the trusses, you should now have 3/4" between the edges of the glazing running down the truss channel. The glazing must be in place before attaching the top joiner strip. The last sheet of glazing can be cut to fit.

4. Put the joiner strip (SN750X0002) in place and then hammer it with a rubber mallet working from the ridge down both sides of the glazing. The force of the rubber mallet will snap the strip in place.

5. After the strip is in place you must now drive SN022X0408 Hex Whr Hd Tek Scr/whr.12 X 1-1/2 through the centre of the joiner strip into the aluminum truss channel, one 4" from the ridge and the last approximately 2" from the bottom. The spacing is usually 8" to 12" on centre (see picking slip for total quantity and divide by quantity of trusses).



6. The glazing should also be fixed through the high rib of the roof steel to deck or purlin at a maximum of 12" on centre using SN022X4123 White 2-1/2" Wood Grips.